

Technical Particulars - Three-phase transformer 22 / 0.420KV 200kVA

No.	Characteristics	Unit	Values
1	Native country		India
2	Maker		KKM POWER AB
3	Type		Hermetically Sealed(Completely filled)
4	Standards		IEC 60076 /EN 50588 / EN 50708-2
5	Nominal power	kVA	200
6	Location		Outside
7	Nominal voltage HV	kV	22
8	Cooling method		ONAN
9	Coupling		Dyn11
10	Dielectric fluid		Mineral oil -IEC-60296
11	Frequency	Hz	50
12	Transformation Ratio	kV	22 / 0.420
	Tappings on HV side		+5% to -5% insteps of 2.5%
13	Current		
	HV	A	5.249
	LV	A	274.93
14	Test voltage 50Hz 1 min MT winding	kVrms	50
15	Test voltage 50 Hz 1 min LV winding	kVrms	3
16	Withstand voltage 1.2 / 50 MT winding	kV	125
17	Oil heating	° C	60
18	Heating of windings	° C	65
19	No-load losses (W)	kW	Tier - 2 (EU-548-2014)
20	Pressure losses (W)	kW	Tier - 2 (EU-548-2014)
21	Short circuit voltage	%	4
22	No-load current	%	3
23	Continuous overload	%	10
24	LV winding material		Aluminium
25	MT winding material		Aluminium
26	Core Material		Amorphous
27	Type of connection terminals		porcelain
28	Total weight	Kg	1270

Note:

- Weights and dimensions are subjected to +/- 10% tolerance

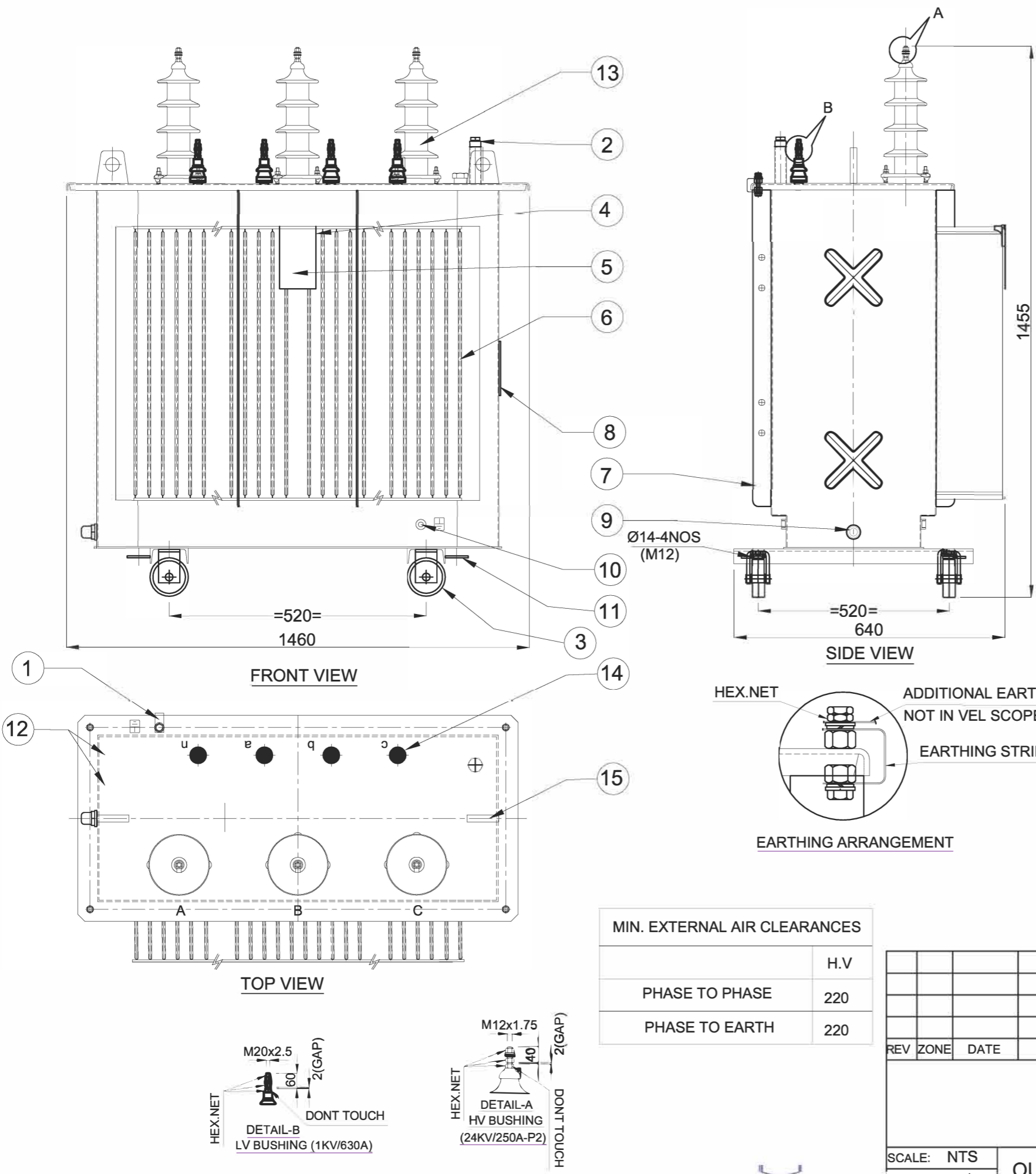
Suneel
Prepared By

BSR
Checked By

BSR
Approved By

ALL DIMENSIONS ARE IN mm & WEIGHTS ARE IN kg UNLESS OTHERWISE SPECIFIED.

ALL INFORMATION CONTAINED IN THIS DOCUMENT IS CONFIDENTIAL REPRODUCTION OF THIS IN ANY FORM IS TO BE DONE WITH THE SPECIFIC PERMISSION OF THE ORGANISATION.



- NOTE :**
- 1) OVERALL DIMENSIONS AND WEIGHTS ARE SUBJECT TO ±10% TOLERANCE.
 - 2) FINISH PAINT SHADE :- RAL 7035 (LIGHT GREY).
 - 3) THE POSITION, LOCATION , DESIGN OF FITTINGS & ACCESSORIES MAY SLIGHTLY VARY DURING MANUFACTURING.
 - 4) COMPLETE TRANSFORMER WITHSTANDS LOWER LIMIT OF AMBIENT TEMPERATURE -40°C.
- TIGHTENING TORQUE :-**
- . HV & LV BUSHING STEM(OUTSIDE) M12 - 13Nm.
 - 5) TERMINAL MARKING AND EARTHING SYMBOL SHALL BE PAINTED WITH BLACK COLOR .
 - 6) OIL LEVEL MARKING SHALL BE VISIBLE FROM TANK SHORTER SIDE .
 - 7) GAP (2MM) SHOULD MAINTAIN BETWEEN TWO ADJACENT NUT AS PER DETAIL-A,DETAIL-B & DETAIL-C .

15	LIFTING LUGS FOR LIFTING OF TRANSFORMER	2
14	LV BUSHING	4
13	HV BUSHING	3
12	VOLTAGE MARKING PLATE	-
11	TOWING EYES	4
10	EARTHING TERMINALS	2
9	OIL DRAINING CUM SAMPLING DEVICE	1
8	MONOGRAM	1
7	VERTICAL STIFFENER	-
6	CORRUGATION PANEL	-
5	RATING PLATE	1
4	RATING PLATE FIXING PLATE	1
3	BI-DIRECTIONAL ROLLERS (Ø125x40)	4
2	OIL FILLING PIPE WITH VERTICAL FLOAT OLG	1
1	EARTHING STRIP BETWEEN TANK AND TOP COVER	1

S.NO	DESCRIPTION	QTY.
WEIGHTS		
TOTAL WEIGHT	Kg	1270
RATING	: kVA	200
NO. OF PHASES	:	3
VOLTAGE AT NO LOAD	: H.V V	22000
COOLING	:	ONAN
	: L.V V	420
TEMP.RISE (0/W)°C	:	60/65
CURRENT	: H.V A	5.249
VECTOR GROUP	:	Dyn11
	: L.V A	274.93
TYPE	:	H.SEALED
FREQUENCY	: Hz	50
SPECIFICATION	:	IEC:60076

MIN. EXTERNAL AIR CLEARANCES	
	H.V
PHASE TO PHASE	220
PHASE TO EARTH	220

REV	ZONE	DATE	MODIFICATION	MODIFIED	CHECKED	APPRD.
KKM POWER AB						
SCALE: NTS				DESIGNED	B.S.R	22.09.22
OUTLINE GENERAL ARRANGEMENT FOR 200KVA				DRAWN	PRASAD	22.09.22
22 / 0.420 kV HERMETICALLY SEALED TRANSFORMER				CHECKED	B.S.RAO	23.09.22
				APPROVED	B.S.RAO	23.09.22
				W. O. No:	ENQ-H22250J	
				DRG.NO.:	3 OG 09748H	